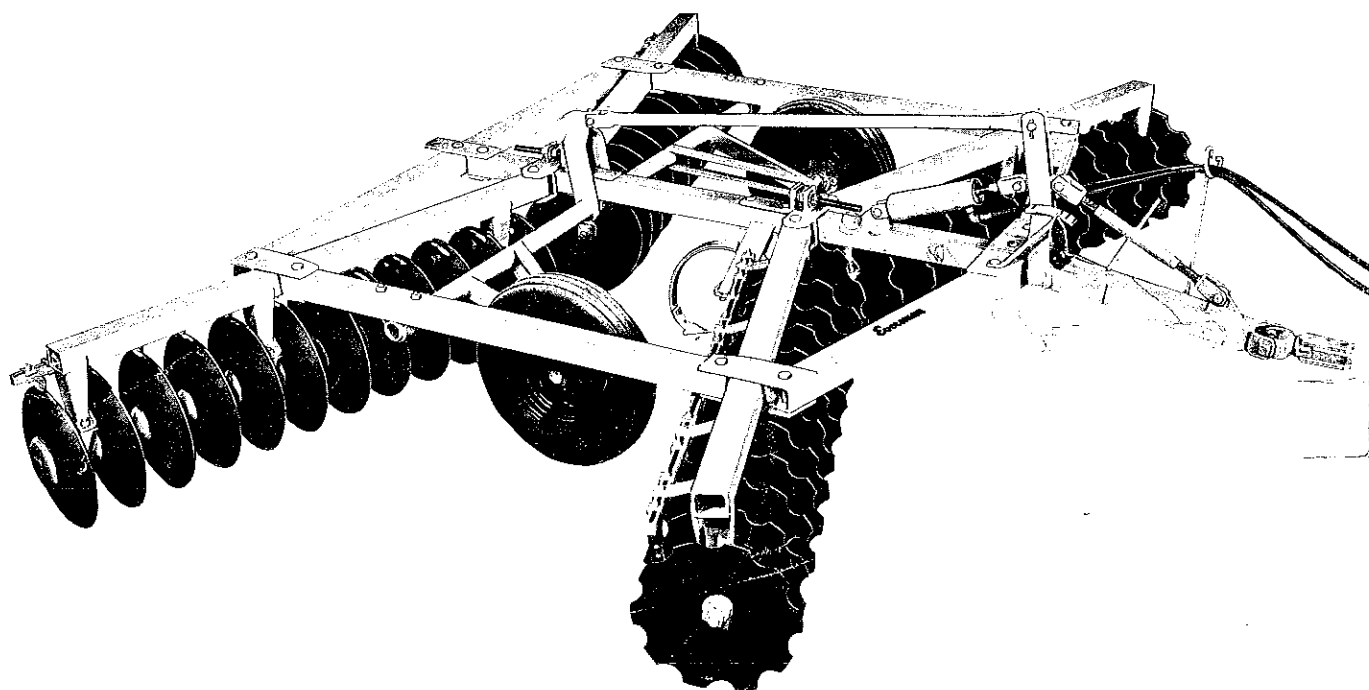


*Everman* Heavy Duty  
**DISK HARROW**  
**Model DH-7**

**Assembly and Operation Manual**  
**Including Parts List**



**EVERSMAN MFG. COMPANY, Curtis at Fifth St., Denver, Colorado 80204**

## ASSEMBLY INSTRUCTIONS DH-7

**NOTE:** Part numbers and photographs shown are for wide frame and 3-bearing gangs. Follow same procedure in assembly of narrow frame and 2-bearing gangs.

**FIGURE 1**—Attach 26689 axle to 26052-1 center beam with two  $\frac{3}{4}$  x  $6\frac{1}{2}$ " bolts. The rear adjustment screw bracket (26083-1) is assembled on the top of the center beam with the same bolts. Refer to Figure 7 for detail of attaching axle to beam. Also note that the wheel hubs are rocked toward the front of the center beam and that the axle yoke is pointed forward. The hubs are factory greased and installed before shipping.

Assemble rear slide, top, (26414) to the rear adjusting screw (26083-1). Figure 3 shows the details of bushing, washers and nuts for the front slide bracket. The rear bracket assembles in the same manner, however, has two holes for the rear gang attachment.

**FIGURE 2**—Attach the front slide bracket (26060) to the front adjusting screw bracket (26083-1) and then use  $\frac{3}{4}$  x  $5\frac{1}{2}$ " bolts to assemble front gang beams to center beam. Connect 26140-2 cylinder anchor to center beam with 7010-26 clevis pin. Note that long leg of cylinder anchor rests on center beam.

Using 26066 pin and 006350 ( $\frac{5}{16}$  x  $2\frac{1}{2}$ " ) cotter connect 26075 lever arm and 26022-1 tongue (refer to Figure 8) at front of center beam. Assemble 26170 lift pipe to top of lever arm and to axle yoke with 7010-26 pins and 006320 cotter keys ( $\frac{1}{4}$  x 2").

Then install 26091 screw jack as shown. This is *not* the correct final location for the screw jack, but it is used here to complete assembly of the harrow. Place front of center beam on keg or box so that beam is approximately level.

**FIGURE 3**—The 26083-1 adjusting screw bracket is connected to the 26060 front, top slide bracket using 26127 bushing, 006180,  $\frac{3}{8}$ " washers and 008025,  $\frac{3}{8}$ " plated nuts on both sides. As shown in Figure 5, 26095 gang beam bushings and  $\frac{3}{4}$  x  $5\frac{1}{2}$ " bolts attach the top and bottom slides to the center beams.

The rear adjusting screw, top slide bracket (26414) and bottom slide (26415) are assembled in the same manner except there are two holes in these parts to permit lateral adjustment during field operation.

**FIGURES 4 & 5**—The disc gangs are factory assembled and are attached to the gang beams. The assemblies are stenciled "left front", "right front", "left rear" and "right rear" so they can be located correctly.

Attention is called to the *outboard disc blades* on the front gangs. These two blades are heavier discs, 7-gauge on 18" and 20" disk harrow models; and 6-gauge on 22" disk harrow models. Therefore, if field replacement is necessary, order these heavier discs for the two outboard front blades.

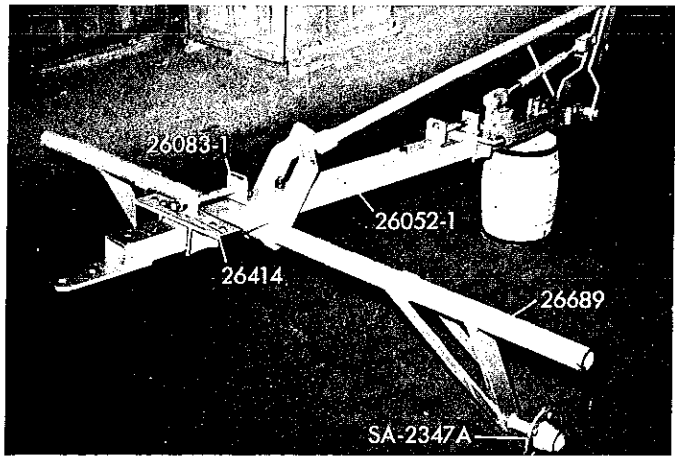


FIGURE 1

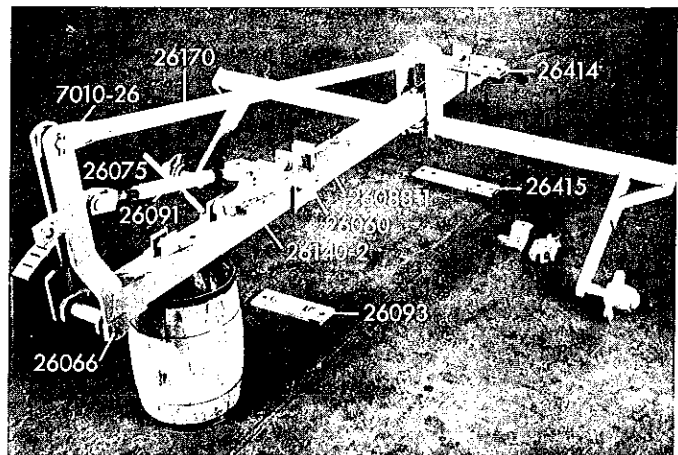


FIGURE 2

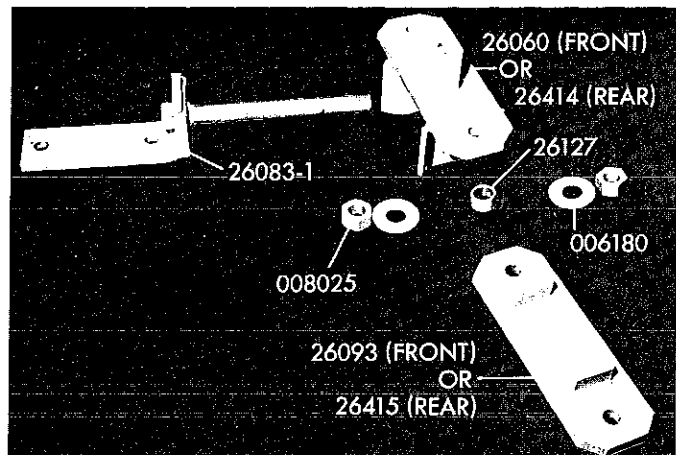


FIGURE 3



FIGURE 4

Roll the gangs into position for attachment to the center beam. Note from Figure 5 that the gang beams are assembled to the front and rear slide brackets with 26095 gang beam bushings and  $\frac{3}{4}$ " x  $5\frac{1}{2}$ " bolts. Leave these bolts loose until other frame members are assembled.

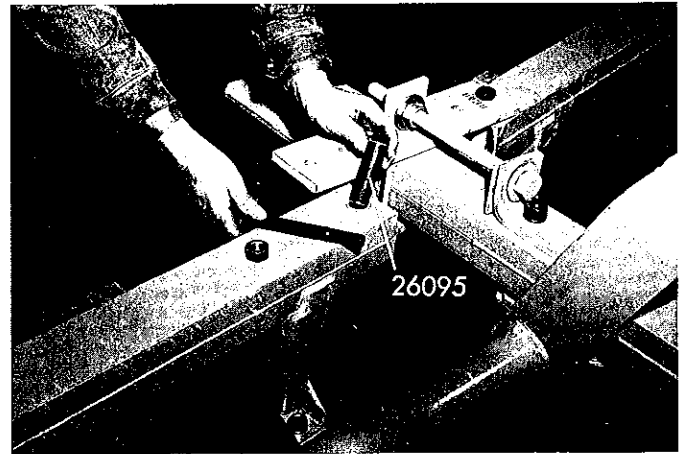


FIGURE 5

**FIGURES 6 & 7**—Attach 26059 front beams to center beam with  $\frac{3}{4}$ " x  $5\frac{1}{2}$ " bolts, leave bolts loose. The two front beams are identical. Note from Figure 8 that the gauge pointer (26130) is installed with the right hand front beam bolt.

Next, assemble 26071-1 side beams to front beams with  $\frac{3}{4}$ " x  $5\frac{1}{2}$ " bolts. The L.H. and R.H. side beams are also identical. Leave these bolts loose.

Referring to Figure 7, attach 26699 (small frame) or 26689 (large frame) axle to side beams and center beam with 26669 axle bearing casting, 26667 axle clamp and  $\frac{3}{4}$ " x 6" bolts on side beams. Leave these bolts loose also.

Attach 26064 rear beam to center and side beams with  $\frac{3}{4}$ " x  $5\frac{1}{2}$ " bolts. Now move around frame structure and progressively tighten *all* bolts. Install 9140 (14") or 9034 (15") wheels and used automotive tires.

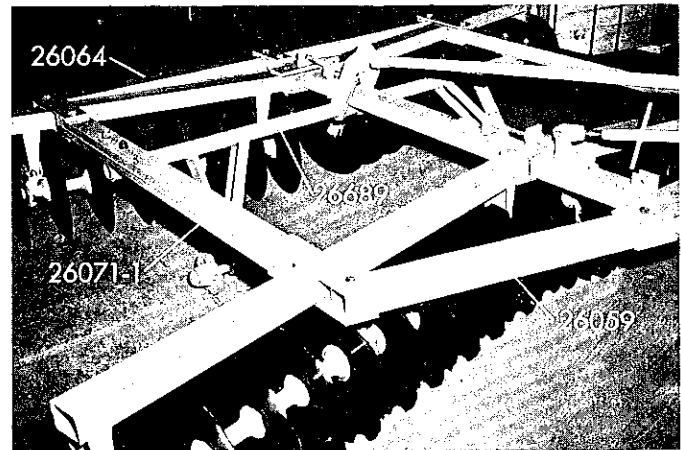


FIGURE 6



FIGURE 7

**FIGURE 8**—Remove 26091 screw jack from temporary position (Figure 2) and assemble in permanent location to 26022-1 tongue and 26075 lever arm fittings with 7010-26 pins and 006320 cotters. This jack is used to regulate the hitch to fit the tractor drawbar height.

Install 140 hose support to tongue fitting with  $\frac{1}{2}$ " x  $1\frac{1}{2}$ " bolts and SA2300-1 swivel clevis to tongue with SA-2026 pin and  $\frac{1}{4}$ " x  $1\frac{1}{2}$ " cotter. (If the harrow is to be operated with a crawler tractor order SA-2301A crawler clevis). Note installation of transport lock (26042) to the center beam fitting with 26100 pin, 7086 hair pin on one side and 7077-18 cotter pin on the other. The transport lock is carried on top of center beam between the lever arm when not in use (Figure 9).

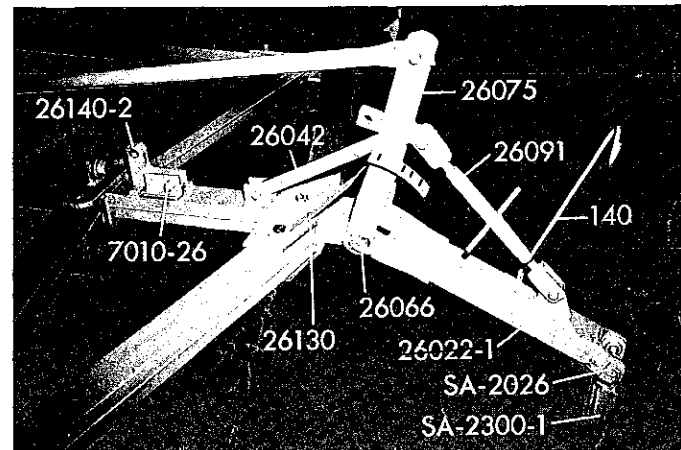
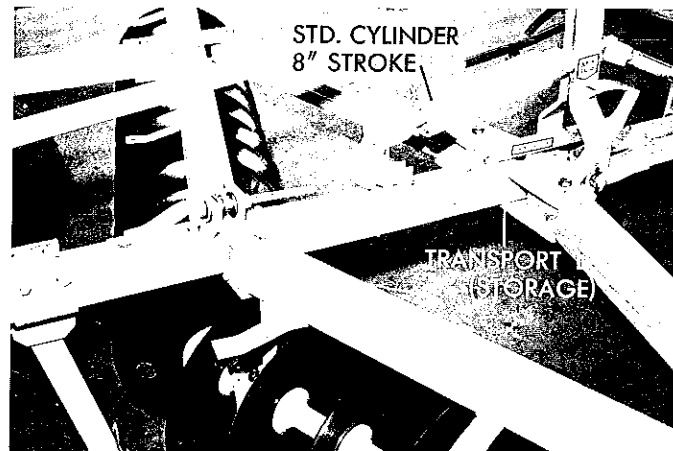


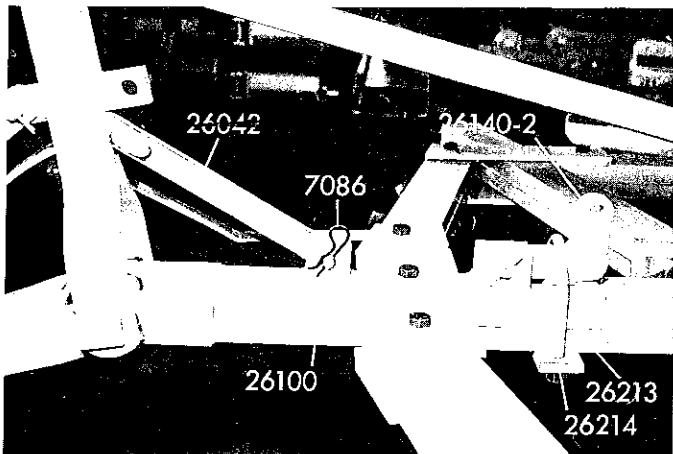
FIGURE 8

**FIGURES 9 & 9A**—Install any ASAE standard 8" stroke, two-way hydraulic cylinder, not larger than 3½" dia. using 7010-26 pins and 006320 cotters. Note position of transport lock when stored. The 26100 pin must be removed to change the lock from storage to transport position and is installed with the 7086 hair pin on one side for easy removal.

In Figure 9A note installation of 26213 U-Bolt and 26214 strap. This is installed to lock down the 26140-2 cylinder anchor fitting only when it is desired to lift the transport wheels *entirely off* the ground. When this is installed the owner is cautioned against crossing extremely rough fields. The cylinder anchor is designed to prevent part of the tractor weight being carried directly on the front gangs. With this anchor fitting locked down, damage is possible to the disk frame or tractor hitch.

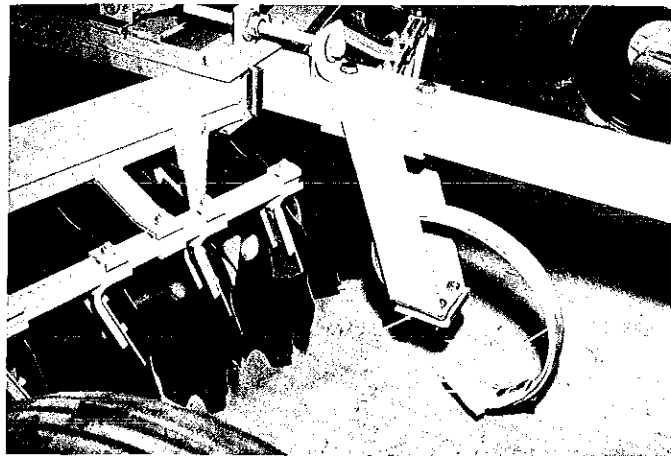


**FIGURE 9**



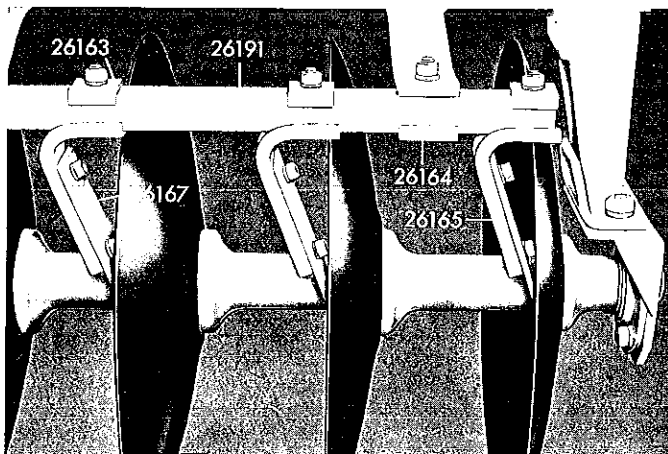
**FIGURE 9A**

**FIGURE 10**—Install 267950 center ridge buster mounting bracket on center beam with same ¾ x 5" bolts which assemble the 26083-1 adjusting screw to the center beam. Figure 10 shows how spring teeth are assembled, *under mounting bracket*, for 20" disc blades. Note that the 267940 clip is on the bottom of the mounting bracket horizontal plate, and that the lip is pointed up to secure the spring teeth in place. For 18" disc blade models, assemble the spring teeth *on top* of the mounting bracket horizontal plate and attach 267940 clip on *top* of spring teeth with lip pointed down. For 22" disc blade models, assemble teeth *under* the mounting bracket and use several flat washers to lower sweep enough to remove center ridge. The 267310 4" sweep is mounted with a 7/16 x 1¼ plow bolt, flat washer and lock washer in top hole, and a 7/16 x 1¼ plow bolt and standard lock washer in lower hole.



**FIGURE 10**

**FIGURE 11**—Assemble 26191 (48 disc model) scraper support bar to gang beam strap with 26164 anchor clamps (square holes) and ½ x 2¼" carriage bolts. Attach 26167 scraper blades to 26165 channel bracket with ¾ x ¾" bolts. Note that scraper blades go on smooth face of formed channels. Assemble channel brackets to support bars with 26163 adjusting clamps (round holes) and 7/16 x 2¼" bolts. Note that all scrapers may be moved away from discs, by loosening the 26164 anchor clamp bolts and sliding the entire assembly, or individual scraper may be adjusted to fit the disc face as required. The scrapers are contoured to fit the blade curvature and should be initially set about 1/8" from disc.



**FIGURE 11**

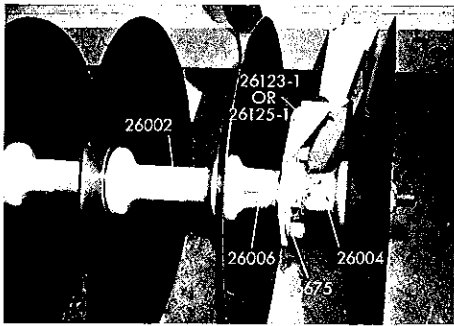


FIGURE 12

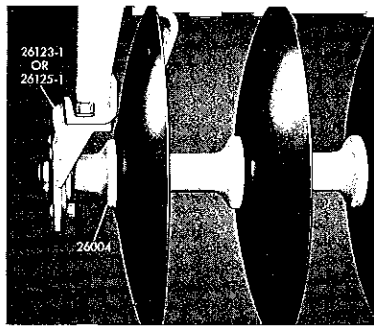


FIGURE 13—

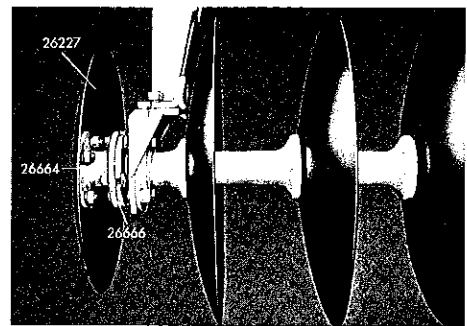


FIGURE 14

**FIGURES 12 & 13**—When it is necessary to dismantle gang assembly, note from Figure 12 the location of the bearing bells when reassembling. The short bell, 26004, fits against the convex surface of the disc blade and the flange side of the bearing. The long bell, 26006, goes on the smooth side of the bearing and the concave surface of the disc.

For the models which have the bearing on the outside of the end disc on the rear gangs refer to Figure 13. Note that the short bearing bell is used here with the flange on the inside of the bearing bracket.

If field replacement is necessary, order 7-gauge blades on 18" and 20" disk harrow models for the 2 front gang outboard discs, and 6-gauge blades for 22" models.

Also note when ordering parts that a bearing and flange change was made at serial No. 10648.

**NOTES:**

- (1) After several hours operation retighten all frame bolts and check them daily under heavy usage.
- (2) Install transport lock (Figure 9A) when transporting or storing harrow.
- (3) Use swinging drawbar for operation, but pin tractor drawbar when transporting disk.
- (4) The Eversman Disk Harrow was designed differently than most disks:
  - (1) to permit lifting with less hydraulic pressure equipment, and

**FIGURE 14**—The optional outrigger attachment is installed on the rear gangs as shown. If ordered with the disk harrow, the 26666 slotted washer is welded to the arbor bolt (26710 for 48 disc model). If the outrigger is to be installed on a field machine, the washer is included in the kit. Before welding to the arbor bolt, extend arbor bolt 6 to 8" away from the bearing to prevent damage.

The 26664 outrigger spool is attached to the arbor bolt washer and to the 26227, 16" disc blade with 1/2 x 1/4" carriage bolts, hex nuts and lock washers.

At Serial No. 12113, the outrigger arbor bolt, with the slotted washer welded on, is shipped on all disk harrow models.

- (2) to make the front end heavier for improved penetration and to eliminate sway and whip while transporting. The transport wheels lift forward instead of towards the rear of the machine. This considerably lessens the power required for raising the disk.

The heavier front end has important advantages and the only disadvantage, lifting to hook on a tractor or trailer hitch, can be overcome by (a) lengthening the front screw to 3 1/2 to 4" before parking, and (b) setting the tongue on a 10 to 12" block when storing.

**OPERATION AND ADJUSTMENT INSTRUCTIONS**

**GENERAL**—The Eversman Wheel-Tandem Disk Harrow is a heavy duty, quality machine. Many outstanding features are included in this unit as standard equipment which are not available on other disk harrows, or which are available only at extra cost.

The Eversman is operated by 2-way hydraulic controls and any ASAE standard, 8-inch stroke, cylinder may be installed.

There are two basic models: (a) the narrow frame which will accommodate either a 28 blade, 32 blade or 36 blade gang, each of these gang assemblies have two bearings; and (b) the wide frame, with three bearings per gang and on which either 36, 40, 44 or 48 blade gangs may be installed.

Disc blades are available in 18, 20 or 22 inch sizes. Standard blades are 10 gauge (.134) for the 18" disc; 9 gauge (.148) for the 20" size and 8 gauge (.165) for the 22" disc. Optional blades available are 9 gauge for the 18" and 8 gauge for the 20" discs. Cutout or plain blades may be installed, with the normal shipment using cutouts on the front gangs and plain in the rear. All disk spacings are at 7 1/8".

The two outboard discs on the front gangs are 2 gauges heavier than the rest of the blades. 7-gauge discs are shipped on the 18" and 20" models, and 6-gauge on the 22" models.

A rear hitch plate is included to permit attachment of any other trailing implement, spiketooth, peg tooth harrows, packers, rollers, etc.

When necessary to loosen arbor bolt nut to replace blades or spools, always loosen bolts which attach flange to bearing hangers (Figure 12). Then, after new parts are installed and arbor bolt nut is retightened, tighten flange nuts. If this step is not followed, it is possible to build a bind into the bearings which will produce excessive wear on the bearings and premature failure.

NOTE that only flat, or crimped disc blades may be installed on the Eversman harrow.

**TRANSPORTING, HANDLING AND STORAGE**—The Eversman has more than normal clearance for transporting and the weight is properly distributed so that it can be pulled at higher speeds without whipping on the highway.

When transporting behind a tractor lock the swinging drawbar. Insert the transport lock as shown in Figure 9A.

Before unhooking from tractor, lengthen the adjustment screw (26091, Figure 8) so that 3 1/2 to 4" of thread shows. Then set the tongue on a 10 to 12" block for storage. When you rehook to pick-up or tractor you will find the above two steps considerably lightens the weight on the front end.

Leave the transport lock installed during storage so the remote cylinder can be removed and installed easily.

**FIELD OPERATION**—The front screw jack (26091), see Figure 8, adjusts the harrow tongue height to the correct position for your tractor drawbar height. Lengthening this screw will shift weight to the rear gangs for greater penetration there, while shortening the screw will force the front end down and result in greater penetration on the front gangs.

Disking depth can be controlled by varying the amount of weight carried on the transport wheels, and by angling the gangs. If tractor power is marginal reduce the angle of the front gangs and the harrow will pull lighter.

If you desire to lift the transport wheels entirely off the ground, install anchor 26213, as per Figure 9A.

During field operation leave the tractor drawbar free to swing. Move rear gangs to outboard holes in rear slides (Figure 5) to prevent ridging in the higher speed ranges.

At any given angle of gang setting and depth of cut there is only one correct speed to keep the field level. A higher speed will produce ridging. Reduce speed to leave field level. At higher speeds, a flatter gang angle, or reduced disking depth will eliminate ridging.

Install the optional outrigger blades, Figure 14, to reduce the furrow left by outboard blades when working in loose ground conditions.

Adjust scrapers carefully approximately 1/8" from each disc blade. If you do not need to use scrapers loosen the nuts attaching the scraper support bars to gang beam straps and move all scrapers simultaneously.

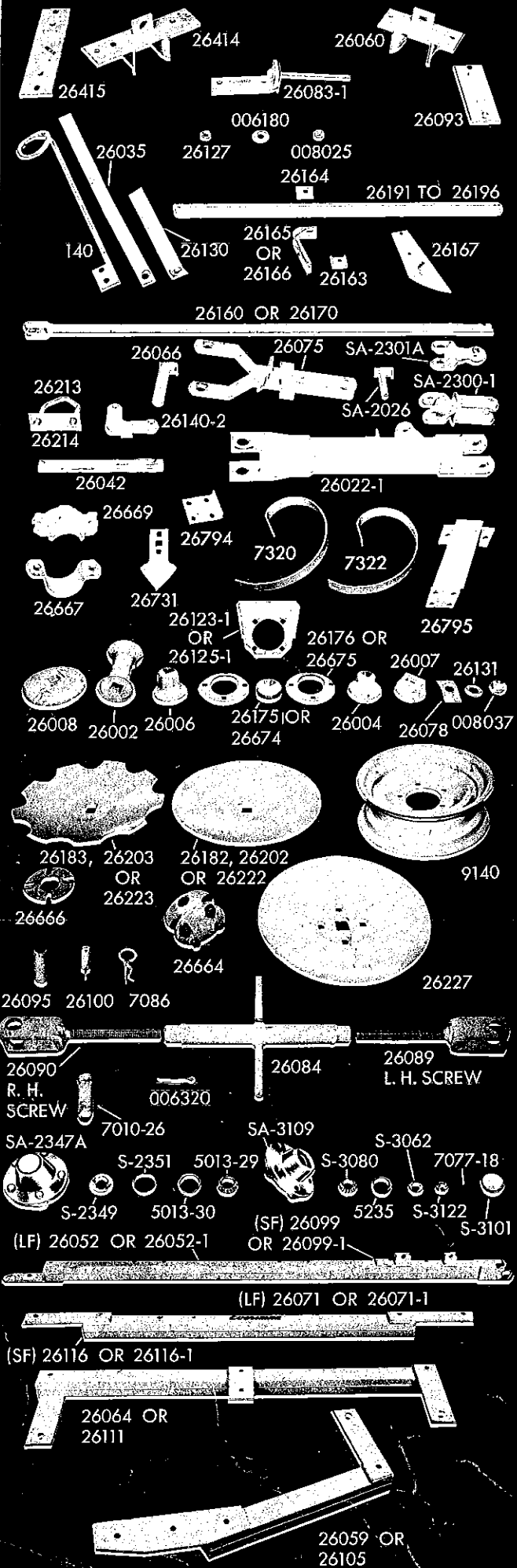
Retighten all frame bolts after several hours operation and check frequently during heavy usage.

**LUBRICATION**—Repack wheel bearings once a year. The bearings are factory greased before shipping. Grease the three zerks on axle bearings daily during operation. See Figure 7 for zerk locations.

# MODEL DH-7 DISK HARROW PARTS LIST

NOTE: Always Order by "Code" Number and Specify Serial Number

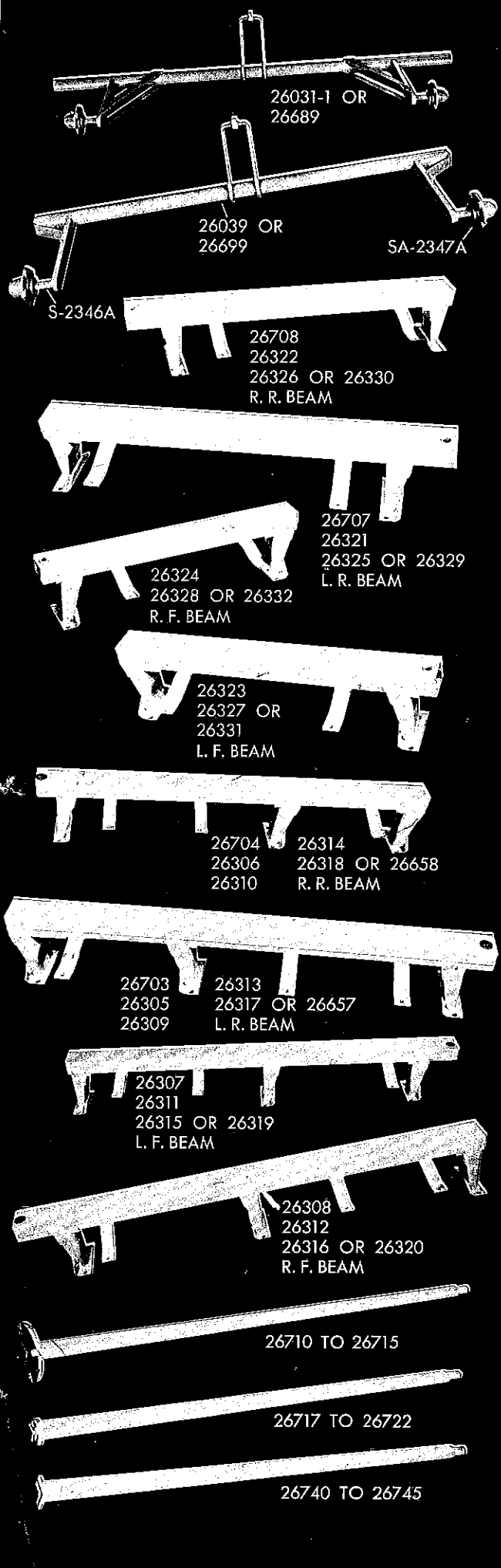
Part No.	Code No.	Description	No. Req.	Effective Serial No. (A)
140	012120	Hose Support	1	All
SA-2026	020260	Clevis Pin	1	All
SA-2300-1	023001	Swivel Clevis	1	All
SA-2301A	023010	Crawler Clevis (Opt.)	1	All
S-2346A	023460	Dolly Spindle	2	All
SA-2347A	023470	Hub Assembly	2	All
S-2349	023490	Triple Lip Seal	1	All
S-2351	023510	Wear Sleeve	1	All
S-3038	030380	Grease Fitting	1	All
S-3062	030620	1/4" Hardened Washer	1	All
S-3080	030801	Outer Cone (LM67048)	1	All
S-3101	031010	Hub Cap	1	All
SA-3109	031090	Hub Casting	1	All
S-3122	062567	Spindle Nut	1	All
S-3127	007000	Lug Bolt	5	All
5013-29	501336	Inner Cone (LM-48548)	1	All
5013-30	501337	Inner Cup (LM-48510)	1	All
5235	523501	Outer Cup (LM-67010)	1	All
7077-18	063734	Collar Pin (1/2 x 1 1/2)	1	All
006180	063542	1/2" Standard Washer	4	All
006320	063764	Collar Pin (1/4 x 2)	6	All
006350	063778	Collar Pin (1/4 x 2 1/2)	1	All
006300	063734	Collar Pin (1/2 x 1 1/2)	1	All
7010-26	701026	Clevis Pin	5	All
7086	063839	Hair Pin	1	All
7320	732000	Spring Tooth	1	All
7322	732200	Helper Spring	1	All
008025	061942	1/2 Gang Adjustment Nut	4	All
008037	061944	Arbor Bolt Hex Nut	4	All
9034	590400	15" Wheel (Opt.)	2	All
9140	590350	14" Wheel	2	All
260020	260020	Spacer Spool	18 to 34	All
260040	260040	Short Bearing Bell	8 or 12	All
260060	260060	Long Bearing Bell	6 or 10	All
260070	260070	End Washer	4	All
260080	260080	Bumper Casting	2	All
26022-1	260221	Tongue	1	All
26035	260350	S.F. Gauge Pointer	1	All
26042	260420	Transport Lock	1	All
26052-1	260521	L.F. Center Beam	1	10584 (D)
26059	260590	L.F. Front Beam	2	All
26060	260600	Front Top Slide	1	All
26064	260640	L.F. Rear Beam	1	All
26066	260660	Tongue Pin	2	All
26071-1	260711	L.F. Side Beam	2	10584 (D)
26075	260750	Lever Arm	1	All
26078	260780	Arbor Bolt Lock Washer	4	All
26083-1	260831	Adjusting Screw	2	All
26091	260910	Screw Jack Assembly	1	All
26084	260840	Handle	1	All
26089	260890	L.H. Screw	1	All
26090	260900	R.H. Screw	1	All
26093	260930	Front Bottom Slide	1	All
26095	260950	Gang Beam Bushing	4	All
26099-1	260991	S.F. Center Beam	1	10505 (E)
26100	261000	Transport Lock Pin	1	All
26105	261050	S.F. Front Beam	2	All
26111	261110	S.F. Rear Beam	1	All
26116-1	261161	S.F. Side Beam	2	10505 (E)
26123-1	261231	Bearing Plate (18" or 20" models)	8 or 12	All
26125-1	261251	Bearing Plate (22" models)	8 or 12	All
26127	261270	Adjusting Screw Bushing	2	All
26130	261300	L.F. Gauge Pointer	1	All
26131	068152	Arbor Bolt Washer	4	All
26140-2	261402	Cylinder Anchor	1	All (F)
26160	261600	S.F. Lift Pipe	1	All
26163-0	261300	Scraper Clamp (Round Hole)	24 to 44	All
26164	261640	Scraper Bar Clamp (Square Hole)	8 to 16	All
26166	261650	Scraper Bracket (22" or 20" models)	24 to 44	All
26167	261660	Scraper Bracket (22" models)	24 to 44	All
26167	261670	Scraper	24 to 44	All
26170	261700	L.F. Lift Pipe	1	All
26175	261750	Bearing (Fafnir W208PPB8)	8 or 12	Thru 10647
26176	261760	Flangette (Fafnir 80MSC-1)	16 or 24	Thru 10547
26182	261820	18" Disc—Plain—10 Ga.	1	All
26182-7	261827	18" Disc, Plain, 7 GA.	2	All
26183	261830	18" Disc—Cutout—10 Ga.	1	All
26183-7	261837	18" Disc, Cutout, 7 GA.	2	All
26184	261840	18" Disc—Plain 9 Ga. (Opt.)	1	All
26185	261850	18" Disc—Cutout—9 Ga. (Opt.)	1	All
26191	261910	Scraper Support Bar (48 Disc)	4	All
26192	261920	Scraper Support Bar (44 Disc)	4	All
26193	261930	Scraper Support Bar (40 Disc)	4	All
26194	261940	Scraper Support Bar (36 Disc)	4	All
26195	261950	Scraper Support Bar (32 Disc)	4	All
26196	261960	Scraper Support Bar (28 Disc)	4	All
26202	262020	20" Disc—Plain—9 Ga.	1	All
26203	262030	20" Disc—Cutout—9 Ga.	1	All
26204	262040	20" Disc—Plain—8 Ga. (Opt.)	1	All
26204-7	262047	20" Disc, Plain, 7 GA.	2	All
26205	262050	20" Disc—Cutout—8 Ga. (Opt.)	1	All
26205-7	262057	20" Disc, Cutout, 7 GA.	2	All
26213	262130	Cylinder Anchor U-Bolt	1	All
26214	262140	Cylinder Lock Strap	1	All
26222	262220	22" Disc—Plain—8 Ga.	1	All
26223	262230	22" Disc—Cutout—8 Ga.	1	All
26792	267920	22" Disc, Plain, 6 GA.	2	All
26793	267930	22" Disc, Cutout, 6 GA.	2	All
26227	262270	16" Disc (Outrigger—Opt.)	2	All
26234	262340	18" Disc, Outrigger (Opt.)	2	All



3/16  
1 1/2 ID

3/16  
1 1/2 ID

266740 - 3 3/8  
BEARING - 1 1/2 ID



Part No.	Code No.	Description	No. Req.	Effective Serial No. (A)
<b>REAR GANG BEAMS (NOTE G)</b>				
26657	266570	L.H. (48 Disc)	1	3-B
26658	266580	R.H. (48 Disc)	1	3-B
26305	263050	L.H. (44 Disc)	1	3-B
26306	263060	R.H. (44 Disc)	1	3-B
26703	267030	L.H. (40 Disc)	1	3-B
26704	267040	R.H. (40 Disc)	1	3-B
26313	263130	L.H. (36H Disc)	1	3-B
26314	263140	R.H. (36H Disc)	1	3-B
26707	267070	L.H. (36 Disc)	1	2-B
26708	267080	R.H. (36 Disc)	1	2-B
26321	263210	L.H. (32 Disc)	1	2-B
26322	263220	R.H. (32 Disc)	1	2-B
26325	263250	L.H. (28 Disc)	1	2-B
26326	263260	R.H. (28 Disc)	1	2-B

Part No.	Code No.	Description	No. Req.	Effective Serial No. (A)
<b>FRONT GANG BEAMS</b>				
26307	263070	L.H. (48 Disc)	1	3-B, All
26308	263080	R.H. (48 Disc)	1	3-B, All
26311	263110	L.H. (44 Disc)	1	3-B, All
26312	263120	R.H. (44 Disc)	1	3-B, All
26315	263150	L.H. (40 Disc)	1	3-B, All
26316	263160	R.H. (40 Disc)	1	3-B, All
26319	263190	L.H. (36H Disc)	1	3-B, All
26320	263200	R.H. (36H Disc)	1	3-B, All
26323	263230	L.H. (36 Disc)	1	2-B, All
26324	263240	R.H. (36 Disc)	1	2-B, All
26327	263270	L.H. (32 Disc)	1	2-B, All
26328	263280	R.H. (32 Disc)	1	2-B, All
26331	263310	L.H. (28 Disc)	1	2-B, All
26332	263320	R.H. (28 Disc)	1	2-B, All

Part No.	Code No.	Description	No. Req.	Effective Serial No. (A)
<b>REAR GANG ARBOR BOLTS (NOTE H)</b>				
87 26710	267100	Outtrigger Arbor Bolt—48 Disc	2	10337
80 26711	267110	Outtrigger Arbor Bolt—44 Disc	2	10337-80 1/4
72 26712	267120	Outtrigger Arbor Bolt—40 Disc	2	10337
65 26713	267130	Outtrigger Arbor Bolt—36 Disc	2	10337
58 26714	267140	Outtrigger Arbor Bolt—32 Disc	2	10337
51 26715	267150	Outtrigger Arbor Bolt—28 Disc	2	10337

Part No.	Code No.	Description	No. Req.	Effective Serial No. (A)
<b>FRONT GANG ARBOR BOLTS (NOTE H)</b>				
47 26740	267400	Arbor Bolt—28 Disc	2	All
54 26741	267410	Arbor Bolt—32 Disc	2	All
61 26742	267420	Arbor Bolt—36 Disc	2	All
68 26743	267430	Arbor Bolt—40 Disc	2	All
76 26744	267440	Arbor Bolt—44 Disc	2	All
83 26745	267450	Arbor Bolt—48 Disc	2	All
26414	264140	Rear Top Slide	1	10584
26415	264150	Rear Bottom Slide	1	10584
26667	266670	Axle Clamp	3	All (B), (C)
26674	266680	Axle Bearing	3	All (B), (C)
26674	266740	Bearing (Fafnir W208PPB-12)	8 or 12	10648
26675	266750	Flangette (Fafnir 87MS)	16 or 24	10648
26689	266890	L.F. Axle (Less Hubs)	1	All (B)
S-2346A	023460	Spindle Only	2	All
26699	266990	S.F. Axle (Less Hubs)	1	All (C)
26730	267300	Sweep Clamp	1	to 12036 (J)
268000	268000	Springtooth Ridge Buster Assembly	1	All (J)
26731	267310	4" Sweep	1	All
26794	267940	Clip	1	All
26795	267950	Bracket	1	All
7320	732000	Spring Tooth	1	All
7322	732200	Helper Spring	1	All

Part No.	Code No.	Description	No. Req.	Effective Serial No. (A)
<b>OPTIONAL EQUIPMENT</b>				
26150	261500	Hydraulic Cylinder Kit	1	All
311015	311015	Cylinder Assembly	1	All
4058	405800	Hose—38"	2	All
26788	267880	120" Tread Axle—L.F.	1	10335
26660	266600	Outtrigger Kit	2	10337 (K)
26227	262270	16" Disc	2	10337 (K)
26664	266640	Spool	2	10337 (K)
26666	266660	Slotted Washer	2	10337 (K)
26661	266610	Outtrigger Kit	2	10337 (K)
26234	262340	18" Disc	2	10337 (K)
26664	266640	Spool	2	10337 (K)
26666	266660	Slotted Washer	2	10337 (K)
26236	262360	Outtrigger Kit	2	to 10336 (L)
26227	262270	16" Disc	2	to 10336 (L)
26239	262390	Spool	2	to 10336 (L)
26678	266780	Drilled Bumper Casting	2	to 10336 (L)

**NOTES:**

(A) LF refers to parts used only on the large frame disk harrow models and SF only to small frame models. 2B parts are for models using 2-bearing gangs, and 3B to 3-bearing gang models.

(B) At Serial No. 10335 on the large frame models, a change was made in the axle. For machines under 10335, the 266890 axle, plus 3-266670 clamps and 3-266680 bearings, will be shipped when the old axle, 26031-1, is ordered.

(C) At Serial No. 10505 on the small frame models, a change was made in the axle. For machines under 10505, the 266890 axle, plus 3-266670 clamps and 3-266680 bearings, will be shipped when the old axle, 26039, is ordered.

(D) At Serial No. 10584, a change was made in the large frame side and center beams. The serial number must be specified in order to assure correct shipment on these parts.

(E) At Serial No. 10505, a change was made in the small frame side and center beam. To assure correct parts, specify serial number.

(F) For serial numbers under 10307, the 261402 cylinder anchor must be shipped with a 261370 pad to be welded to the center beam directly under the cylinder anchor.

(G) At Serial No. 10337, a change was made in the rear gang beams. Serial number must be specified to assure correct parts shipment.

(H) For serial numbers through 10336, the front gang arbor bolts, 26740 through 26745, were used on both front and rear gang assemblies. For serial numbers 10337 through 12112, the rear gang arbor bolts, 26717 through 26722, and the outtrigger arbor bolts were interchangeable. Effective serial number 12113, the outtrigger arbor bolts, 26710 through 26715, are standard on all rear gang shipments.

(I) At Serial No. 12037, a change was made in the center ridge buster. Old parts are no longer available. The new springtype design will fit all previous machines. Order Kit No. 268000 for replacement of the ridge buster assembly on harrows under Serial No. 12037.

(K) For serial number machines 10337 and up, order outtrigger kits as follows:

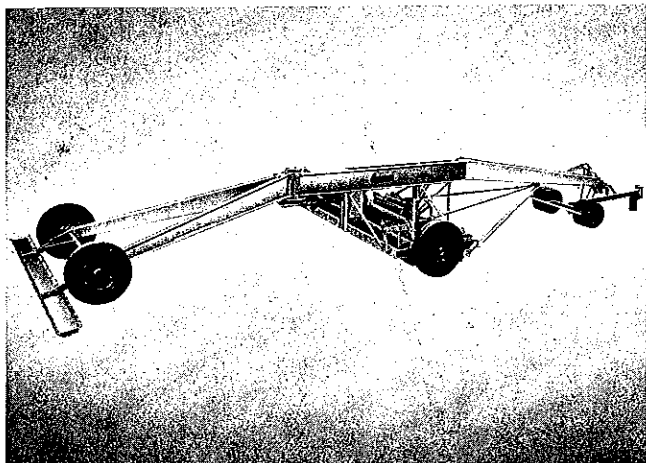
1) If slotted washers are already welded on rear arbor bolts, order Kit No. 266710 for 18" and 20" disc models, or Kit No. 266720 for 22" disc models.

2) If rear arbor bolts do not have slotted washers, order Kit No. 266600 for 18" and 20" disc models, or Kit No. 266610 for 22" disc models. See Figure 14, page 5, for instructions on welding slotted washers to arbor bolts.

(L) For serial number machines under 10337, order Outtrigger Kit No. 262360 for 18" and 20" disc models. For 22" disc models, specify that 262340, 18" outtrigger discs, are required.

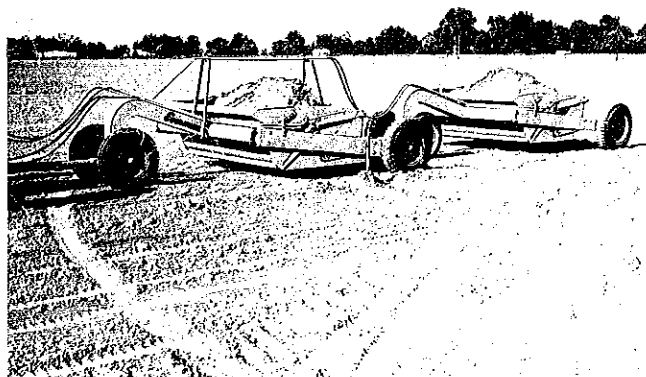
62

# OTHER *Eversman* PRODUCTS



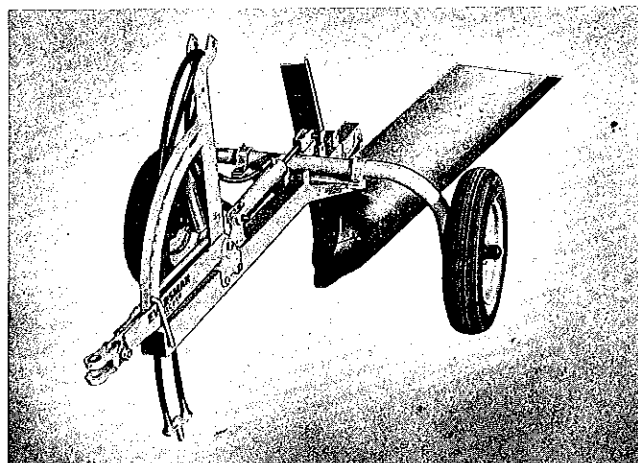
Cover 30% more ground with your regular 3-4 plow tractor and the Eversman *Model 3212* automatic land smoother—32'6" long, with a 12' wide cutting blade. Also available, the *Model 329* 32'6" long, 9'3" blade for 3-plow tractors, the *Model 410*, 40 feet long with a 10' blade for 4-plow tractors and the *Model 4012*, 40 feet long with a 12' blade for 4-5 plow tractors.

All models utilize the famous Eversman crank axle design for fully automatic operation, and will do a complete job of land smoothing, dirt moving and seed bed preparation.

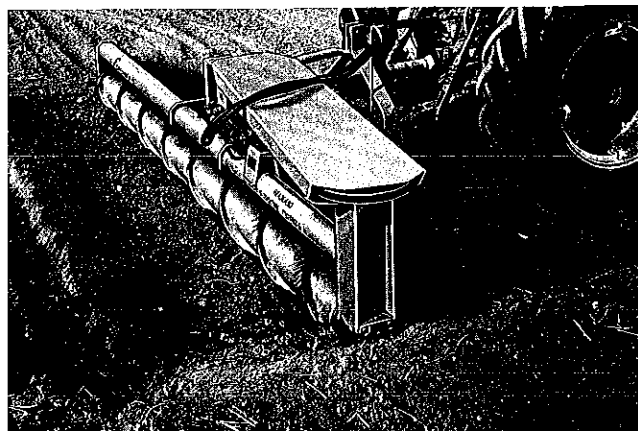


Move 5 yards of dirt per trip with your regular 4 plow tractor and the Eversman *Model 250 Tandem Scraper Combination*. Use the Eversman Tandem Scrapers in combination to accomplish long haul, high yardage dirt moving—or use them individually on separate tractors for small construction jobs.

For larger tractors see the 6-yard *Model 600 Eversman Scraper*. Also available in single or tandem units.



A modern Ditcher for building or cleaning ditches for either irrigation or drainage. Outstanding maneuverability and transportability features make it possible for one man to do his ditching work fast and at low cost. Operated either mechanically or hydraulically with standard farm tractors. Available in three models to fit all sizes of ditchers and farm tractors. A model is also available for tractors with standard 3-point hitch systems.



**HEADLAND FURROW OPENER—MODEL 130** to construct headland ditches in row-crop, irrigated fields. Cutting length 13'2"; depth of furrow 3 to 5"; roter speed 250 RPM; sealed, self-aligning ball bearings; spiral edges hard-surfaced; 37° angle both directions; shielded, heavy-duty P.T.O. drive; weight 800#; Cat. 1 or Cat. 2 three-point hitch mounted.

MANUFACTURERS OF QUALITY FARM EQUIPMENT SINCE 1928

**EVERSMAN MFG. COMPANY**

CURTIS AT 5TH ST., DENVER, COLO. 80204 • AREA CODE 303-244-9261