

ARTS-WAY

PARTS MANUAL

SILAMIX

MODEL

700

SILAGE MIXER

ARTS-WAY

Mfg. Company / Armstrong, Iowa 50514 / Phone (712) 864-3131

19283-0

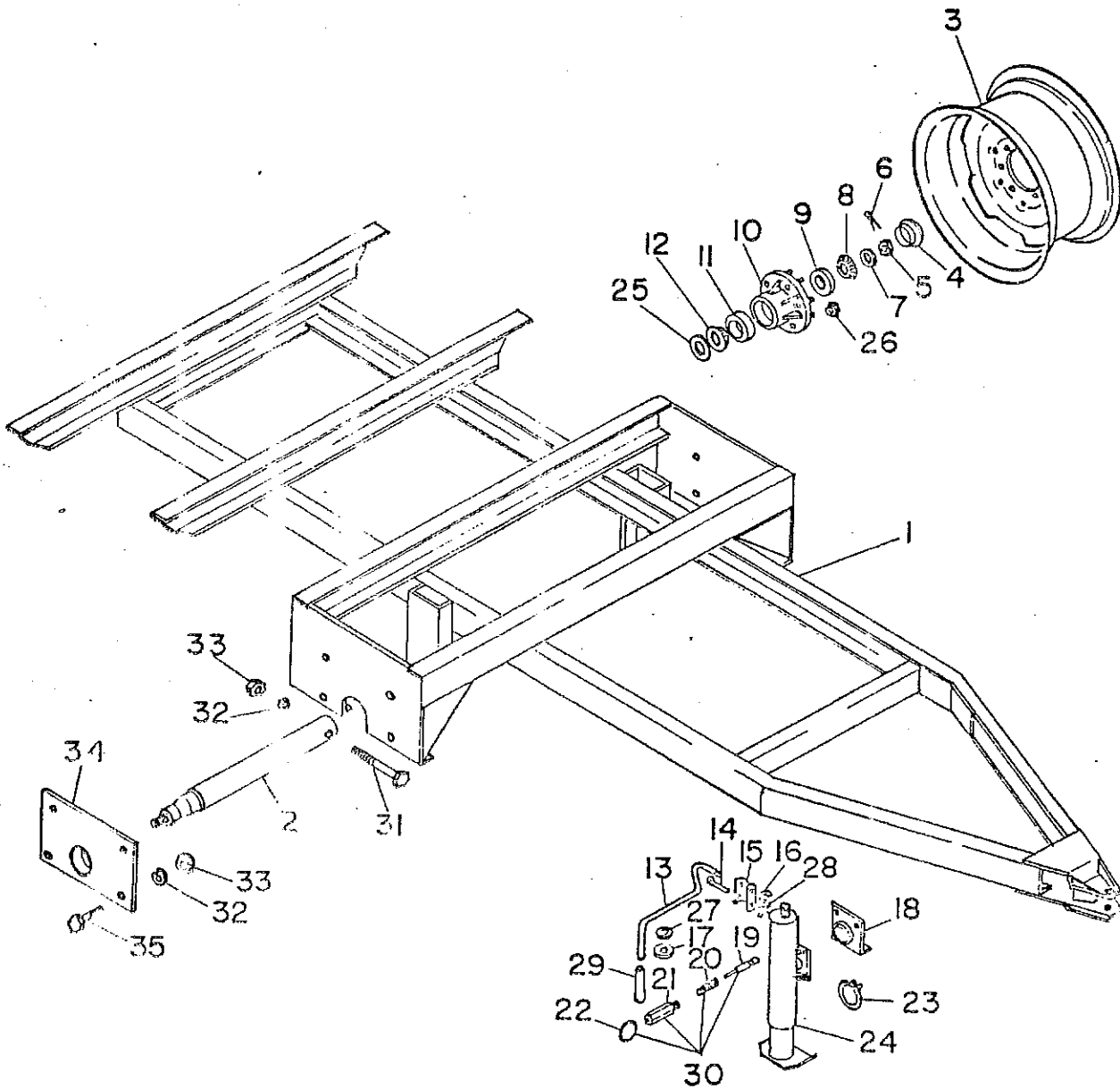
TABLE OF CONTENTS

	<u>PAGE</u>
SILAMIX FRAME ASSEMBLY	2 - 3
SILAMIX GEAR BOX IN AND OUT DRIVE	4 - 5
SILAMIX GEAR BOX ASSEMBLY	6 - 7
SILAMIX DOOR AND RACK ASSEMBLY	8 - 9
SILAMIX BOX AND APRON DRIVE	10 - 11
SILAMIX SIDE BOARDS	12 - 13
SILAMIX UNLOADING AUGER ASSEMBLY	14 - 15
SILAMIX HYDRAULIC DOOR OPENER	16 - 17

IF MORE CONVENIENT--PARTS MAYBE OBTAINED FROM
OUR BRANCH WAREHOUSE

ARTS-WAY WOLCOTT BRANCH
617 NORTH RANGE STREET
WOLCOTT, INDIANA 47995
PHONE (219) 279-2126

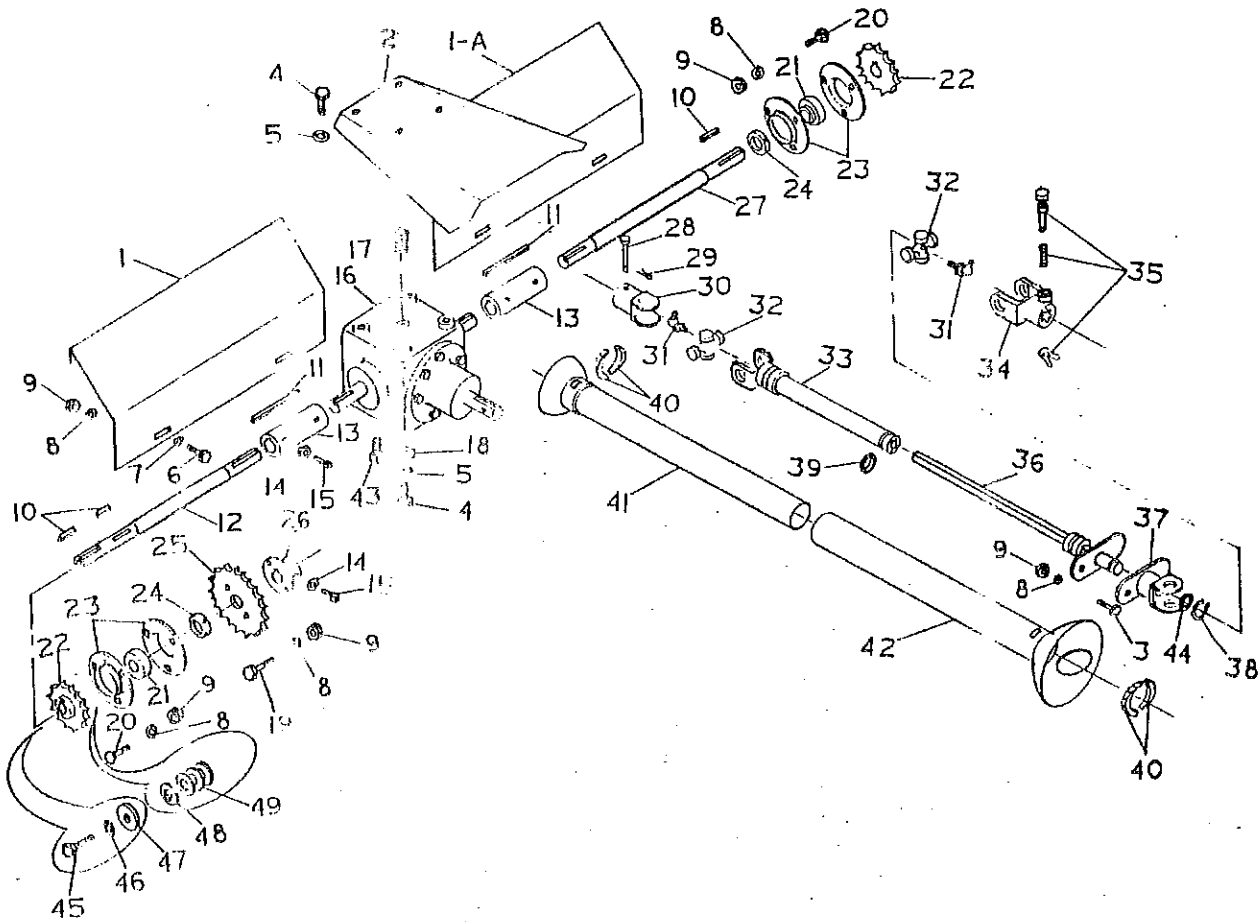
#700 SILAMIX FRAME ASSEMBLY



#700 SILAMIX FRAME ASSEMBLY

KEY	PART NUMBER	DESCRIPTION
1.	12-3963	Main Frame
2.	32-3964	Spindle
3.	41-0758	Wheel, 15 x 6 Heavy Duty
	41-1871	Wheel, 15 x 8 Heavy Duty
	41-3299	Wheel, 15 x 10 Heavy Duty
4.	41-03542-0	Hub Cap
5.	22-2071	Nut, 3/4" Hex Slotted
6.	19-2070	Key, 5/32" x 1 1/2" Cotter
7.	40-2072	Washer, For Spindle
8.	01-1263	Outside Wheel Bearing
9.	01-1886	Outside Race For 01-1263 Bearing
10.	41-0759	Hub, Heavy Duty - 6 Bolt
11.	01-1893	Inner Race For 01-0760 Bearing
12.	01-0760	Inner Wheel Bearing
13.	09-1869	Handle For Swivel Jack
14.	23-2015	Crank Handle Pin
15.	04-2016	Sleeve, For Handle
16.	40-2014	"C" Washer, Holds Jack Crank
17.	01-1040	Jack Thrust Bearing
18.	04-1870	Jack Bracket, Welds To Frame
19.	23-1859	Lock Pin Plunger
20.	38-1860	Lock Pin Spring
21.	16-1858	Lock Pin Housing
22.	35-1857	Ring For Lock Pin
23.	35-3951	Snap Ring Heavy Duty
24.	18-04197-0	Jack Complete Assembly
25.	34-15177-0	Seal For Inner Bearing
26.	22-2073	Nut, For Hub Stud
27.	40-3516	Thrust Bearing Washer
28.	40-2013	"X" Washer Lock
29.	42-2064	Plastic Grip
30.	23-1039	Lock Pin Assembly
31.	03-3856	Bolt, 1/2" x 4" Hex
32.	40-0537	Washer, 1/2" Lock
33.	22-0536	Nut, 1/2" Hex
34.	04-3704	Spindle Mounting Bracket
35.	03-1477	Bolt, 1/2" x 1 1/2" Hex

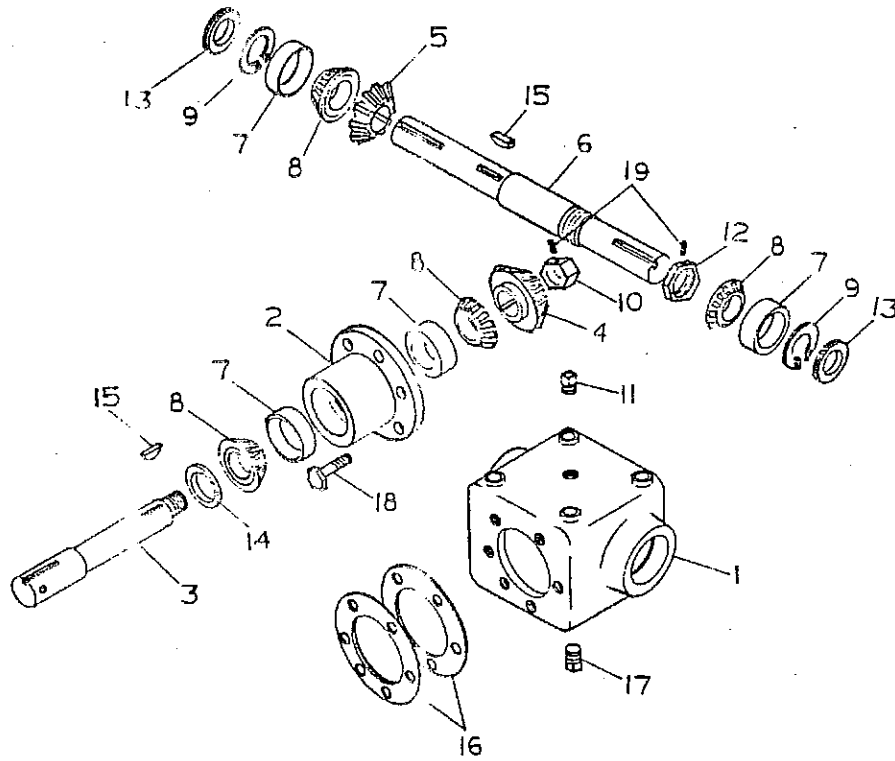
#700 SILAMIX - GEAR BOX IN AND OUT DRIVE



#700 SILAMIX - GEAR BOX IN AND OUT DRIVE

KEY	PART NUMBER	DESCRIPTION
1.	33-3965	Shield, Right Drive Shaft Shield
1A.	33-3967	Shield, Left Drive Shaft Shield
2.	33-3966	Shield, Center Shield Over PTO Drive
3.	03-3970	Bolt, 5/16" x 1 1/4" Hex Cap, Gr. #5 12,400 #
4.	03-1073	Bolt, 1/2" x 1 1/4" Hex Cap, Gr. #5
5.	40-0537	Washer, 1/2" Lock
6.	03-1214	Bolt, 5/16" x 3/4" Hex Cap, Plated
7.	03-2292	Washer, 5/16" Flat, Plated
8.	40-2362	Washer, 5/16" Lock, Plated
9.	22-2363	Nut, 5/16" Hex, Plated
10.	19-2163	Key, 5/16" x 5/16" x 1 1/2"
11.	19-3971	Key, 5/16" x 5/16" x 4 1/4"
12.	32-3968	Shaft, 1 5/16" x 30 1/4" Right Side, (Turned Down) 1 1/4" On Each End
13.	10-3972	Coupler, 6" Long With Set Screws, 1 1/4" Bore
14.	03-3350	Nut, 5/16" Jam
15.	03-3973	Set Screw, 5/16" x 1" Sq. Hd.
16.	16-3887	Gear Box (2 to 1 Ratio)
17.	24-3905	Plug, 1/2" With Breather
18.	40-0520	Washer, 1/2" Flat
19.	03-0590	Bolt, 5/16" x 1" Hex
20.	03-3297	Bolt, 5/16" x 1" Carriage
21.	01-2009	Bearing Flangette Type - 1 1/4" Bore
22.	37-3974	Sprocket - 60B11 1 1/4" Bore 5/16" Keyway
23.	01-1915	62 MSC 3 Hole Stamping 10 Ga.
24.	01-2036	Collar, Locking 1 1/4"
25.	37-3975	Sprocket 60A18 Drilled For Shear Bolts
26.	10-2008	Shear Coupler With 2 3/8" Shear Bolt Holes
27.	32-3976	Shaft, 1 1/4" x 30 1/4" Left Side
28.	23-3418	Clevis Pin 5/16" x 2 1/2" - Plated
29.	19-2070	Cotter Key, 5/32" x 1"
30.	26-3977	Yoke, Implement 1 1/4" Bore
31.	24-3517	Grease Fitting, 65° - 1/8" Pipe Thread
32.	20-3978	Center Cross Repair Kit
33.	26-3979	Yoke, Tube And Sleeve
34.	26-3980	Q.D. Tractor Yoke Assembly - 6 Spline 540 RPM
35.	26-1030	Lock Pin, Spring And Lock Assembly
36.	26-3981	Flange, Shaft And Bearing Race
37.	26-3990	Flange Yoke
38.	35-3983	Snap Ring
39.	01-1033	Nylon Center Support Bearing
40.	01-3989	Nylon End Shield Support Bearing (2 Pieces)
41.	33-3984	Inner Safety Shield And Bell
42.	33-3985	Outer Safety Shield And Bell
43.	24-3904	Pipe Plug 1/2" - Drain
44.	40-3922 044920	Thrust Washer
45.	03-1226	Bolt 3/8" x 1" Hex
46.	03-2118	3/8" Lock Washer
47.	40-1227	Washer, 3/8" I.D. x 1 3/4" O.D. x 10 Ga.
48.	40-2091	Washer, 1 1/4" I.D. x 1 3/4" O.D. 16 Ga.
49.	40-2088	Washer, 1 1/4" I.D. x 1 3/4" O.D. 10 Ga.
50.	26-3986	Complete PTO With Shear Flange
51.	26-3987	Complete Implement Half
52.	26-3988	Complete Tractor Half With Shear Flanges

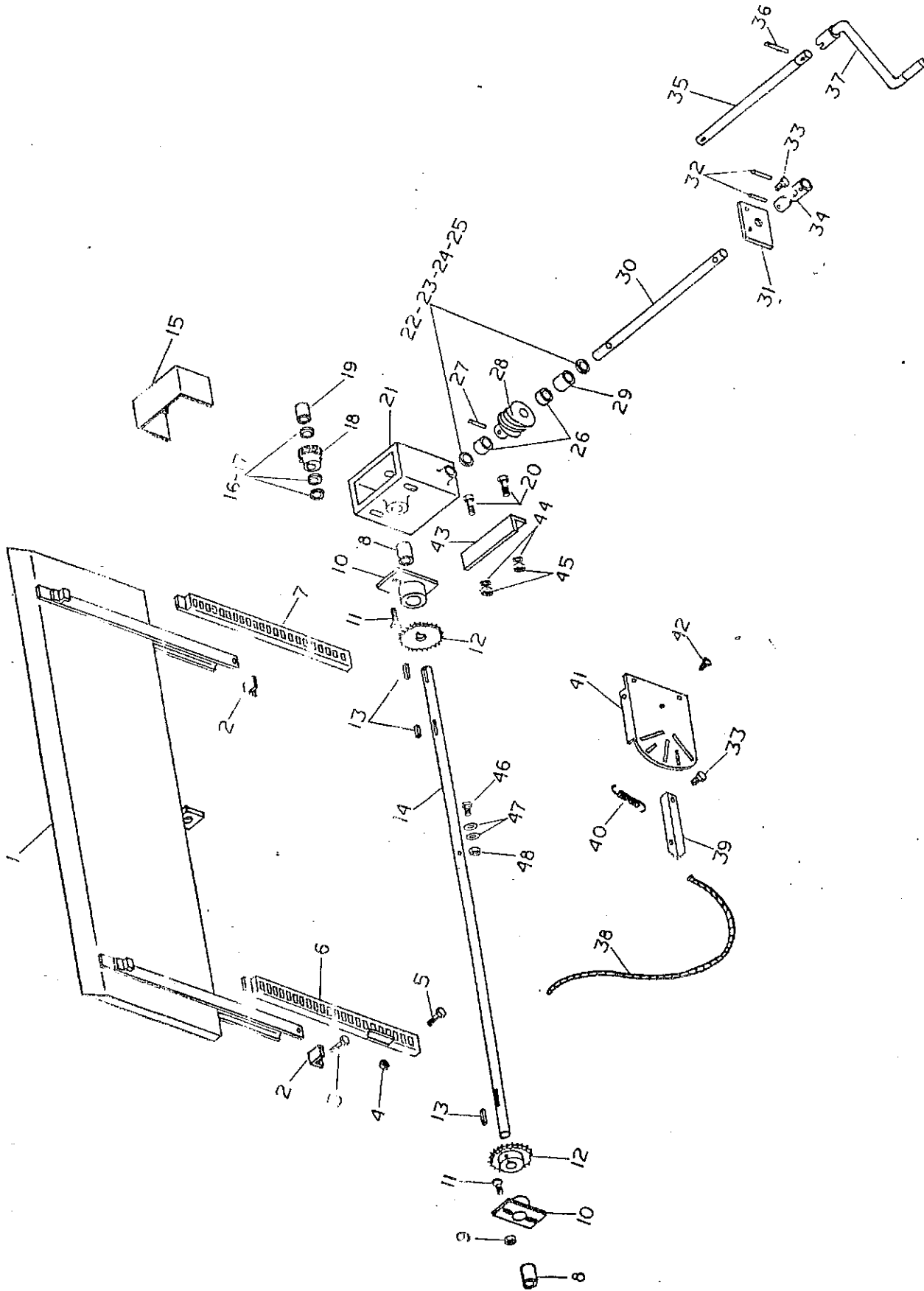
#700 SILAHIX GEAR BOX ASSEMBLY RA137 2:1 RATIO



#700 SILAMIX GEAR BOX ASSEMBLY RA137 2:1 RATIO

KEY	PART NUMBER	DESCRIPTION
1.	16-3887	Case Housing
2.	16-3888	Pinion Housing
3.	32-3889	Shaft, Input 2:1
4.	14-3890	Gear Pinion
5.	14-3891	Gear, Output
6.	32-3892	Shaft, Cross
7.	01-3893	Bearing Cup
8.	01-3894	Bearing Cone
9.	01-3895	Retaining Ring
10.	22-3896	Nut, Special Pinion Lock
11.	24-3905	Plug, 1/2" Breather
12.	22-3898	Nut, Cross Shaft
13.	34-3899	Seal, Cross Shaft
14.	34-3900	Seal, Pinion Shaft
15.	19-3901	Key, Woodruff
16.	36-3902	Shim, .005 Thick As Required
17.	24-3904	Plug, 1/2" Pipe
18.	22-3903	Cap Screws, 3/8" x 1 1/4" - 6 Required
19.	03-3897	Set Screw, For Lock Nuts
	16-3841	Complete Gear Box Assembly

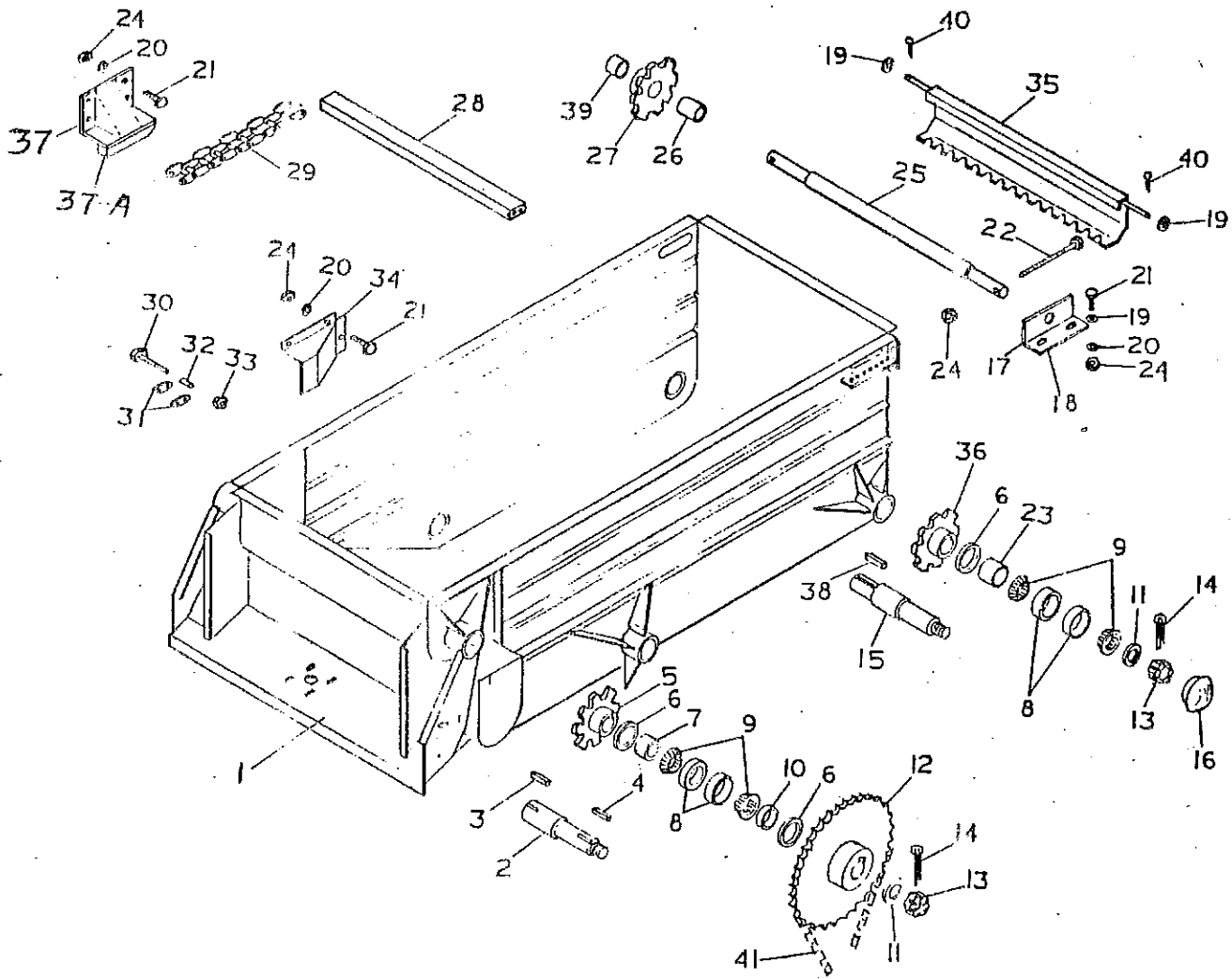
#700 DOOR AND RACK ASSEMBLY



#700 DOOR AND RACK ASSEMBLY

KEY	PART NUMBER	DESCRIPTION
1.	16-3449	Sliding Discharge Door
2.	04-3476	Door Rack Support Clip
3.	03-1477	Bolt, 1/2" x 1 1/2" Hex Cap
4.	22-2377	Nut, 7/16" Hex
5.	03-3453	Bolt, 7/16" x 2" Carriage
6.	21-3721	Rack, Gear Guide Right
7.	21-3452	Rack, Gear Guide Left
8.	05-2573	Bushing, 1 1/4" I.D. x 1 1/2" O.D. x 2" Long
9.	22-2726	Nut, 3/8" Hex
10.	04-3454	Bushing, Support Bracket
11.	03-2017	Bolt, 3/8" x 1" Carriage
12.	37-3455	Sprocket, 60B14
13.	19-1150	Key, 1/4" x 1/4" x 1 1/2"
14.	32-3456	Shaft, 1 1/4" x 66"
15.	33-3457	Shield For Top Of Worm Gear Box
16.	40-2577	Flat Washer, 1 1/4" I.D. x 1 7/8" O.D. 14 Ga.
17.	40-3459	Flat Washer, 1 1/4" I.D. x 1 7/8" O.D. 18 Ga.
18.	14-3460	Gear, 30 Teeth
19.	40-3461	Spacer, Bushing 1 1/4" x 7/8" Long
20.	03-3297	Bolt, 5/16" x 1" Carriage
21.	16-4020	Gear Box, For Door Opener Drive
22.	40-3479	Flat Washer, 3/4" I.D. x 1 1/2" O.D. x 10 Ga.
23.	40-2515	Flat Washer, 3/4" I.D. x 1 1/2" O.D. x 12 Ga.
24.	40-3480	Flat Washer, 3/4" I.D. x 1 1/2" O.D. x 14 Ga.
25.	40-3481	Flat Washer, 3/4" I.D. x 1 1/2" O.D. x 18 Ga.
26.	01-3477	Thrust Bearing, 3/4" I.D.
27.	23-1255	Expanpin, 1/4" x 1 1/4"
28.	14-3478	Worm Gear, Steel, 3/4" Bore
29.	40-3482	Spacer, 3/4" I.D. x 3/4" Long
30.	32-3483	Shaft, 3/4" x 21"
31.	04-3484	Bracket, Support Plate
32.	23-3485	Expanpin, 5/16" x 1 1/2"
33.	03-1214	Bolt, 5/16" x 3/4" Hex
34.	26-3486	Universal Joint
35.	32-4021	Shaft, 3/4" x 16 3/4" Long
36.	23-1255	Expanpin 1/4" x 1 1/4"
37.	09-1250	Crank
38.	42-3494	Cable, 1/8" x 45"
39.	21-3495	Indicator Arm
40.	38-1165	Holding Spring
41.	09-3496	Door Position Indicator Gauge
42.	03-1214	Bolt, 5/16" x 3/4" Hex
43.	04-4022	Bracket, For Mounting Gear Box
44.	40-2362	Washer, 5/16" Lock
45.	22-2363	Nut, 5/16" Hex
46.	03-2123	Bolt, 3/8" x 3/4" Hex
47.	03-2119	Washer, 3/8" Flat
48.	22-2306	Nut, 3/8" Hex Self Locking

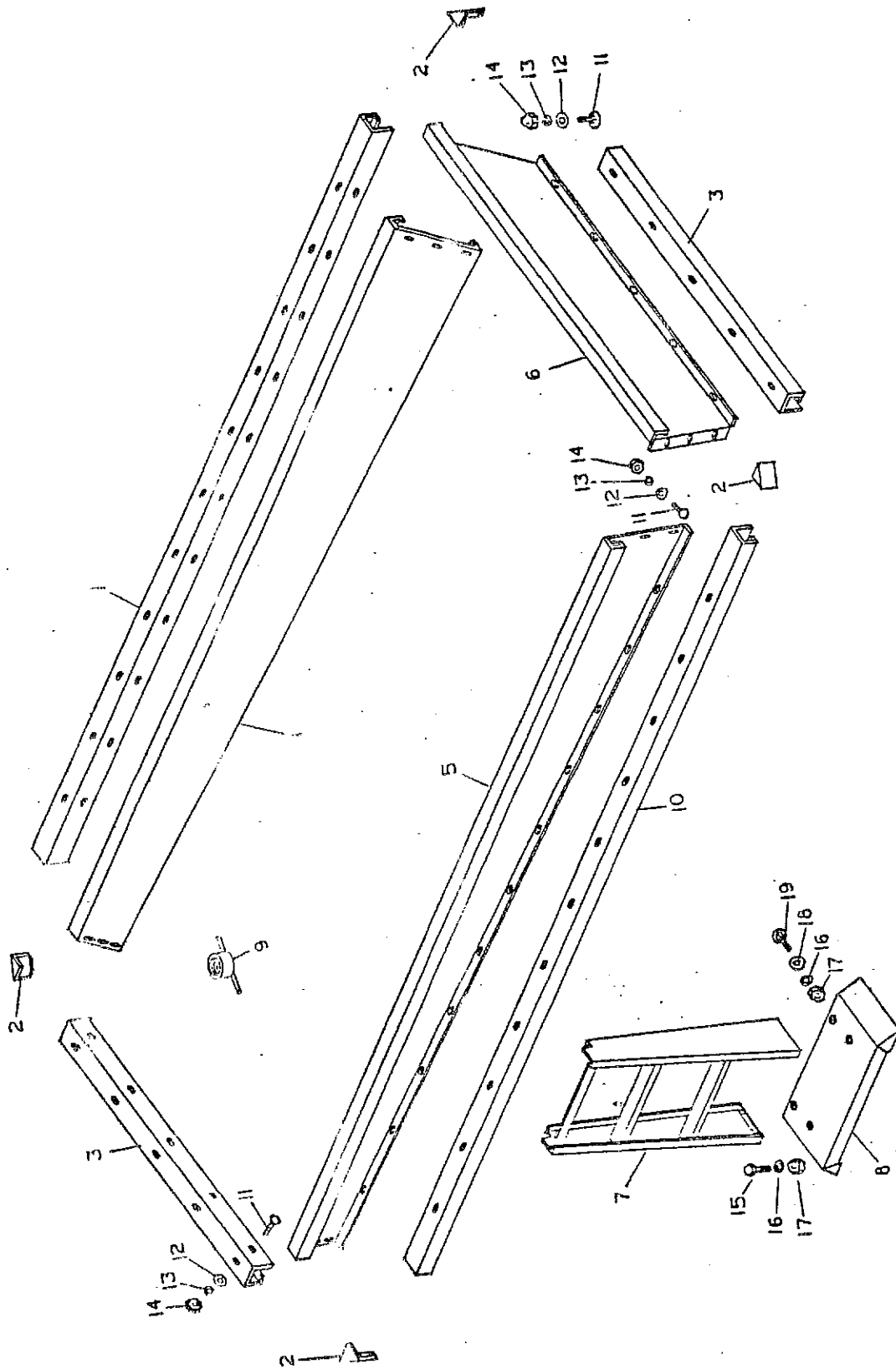
#700 BOX AND APRON DRIVE ASSEMBLY



#700 BOX AND APRON DRIVE ASSEMBLY

KEY	PART NUMBER	DESCRIPTION
1.	12-3991	Silamix Box Assembly (Welded Parts)
2.	32-3994	Drive Spindle
3.	19-3996	Key 3/8" x 3/8" x 2 3/4"
4.	19-3995	Key 3/8" x 3/8" x 1 3/4"
5.	37-3997	Sprocket, Main Inside Drive
6.	34-0761	Seal, 2" I.D.
7.	36-3998	Spacer, 1 7/8" I.D. 2" O.D. x 1 1/4" Long
8.	01-1893	Race For Inner And Outer Cone
9.	01-0760	Bearing Cone
10.	36-4000	Spacer, 1 5/8" I.D. 2" O.D. 1/2" Long
11.	40-3993	Washer 3/4" I.D. 2 1/4" O.D. 3/16" Thick
12.	37-3999	Sprocket, Main Drive - 60B72
13.	22-2071	3/4" Hex Slotted Nut
14.	19-2663	Cotter Pin 5/32 x 1 1/2
15.	32-4001	Spindle, Idler
16.	41-3882	Hub Cap
17.	21-4002	Tightening Linkage Bracket (Left Side)
18.	21-4011	Tightening Linkage Bracket (Right Side)
19.	40-0520	1/2" Flat Washer
20.	40-0537	1/2" Lock Washer
21.	03-1073	Bolt, 1/2" x 1 1/4" Hex Cap - Gr. 5
22.	21-4003	Linkage Rod, 1/2" x 14" with 8 1/2" Thread
23.	36-4004	Spacer, 1 7/8" I.D. 2" O.D. x .625 Long
24.	22-0536	1/2" Hex Nut
25.	32-4005	Shaft, Idler Adjustment 1 5/8" x 63" Long
26.	05-2573	Bushing, 1 1/2" I.D. x 1 3/4" O.D. x 2" Long
27.	37-4006	Sprocket - Idler
28.	12-4007	Material Carrying Slat
29.	08-4019	Apron Chain Complete With Slats
30.	03-3884	Bolt, Special 5/8" - 11 3 5/8 - Gr. 5
31.	08-4008	Side Bar Plate
32.	36-4010	Spacer Roller
33.	22-3885 JK40015	Nut, 5/8" Lock, Plated
34.	12-4012	Chain Cleaner Plate (Right Side)
	12-4013	Chain Cleaner Plate (Left Side)
35.	12-4014	Slat Cleaner
36.	37-4015	Sprocket, Idler I.D. Bored For Bearings
37.	15-4016	Chain Guide (Right Side)
	15-4017	Chain Guide (Left Side)
38.	19-2153	Key, 3/8" x 3/8" x 2"
39.	36-4018	Spacer, 1 1/2" I.D. 1" Long
40.	19-2070	Cotter Pin 5/32" x 1"
41.	08-4047	RC-60 - 101 Pitch Including One Offset And 1 Connector

#700 SILAMIX SIDE BOARDS



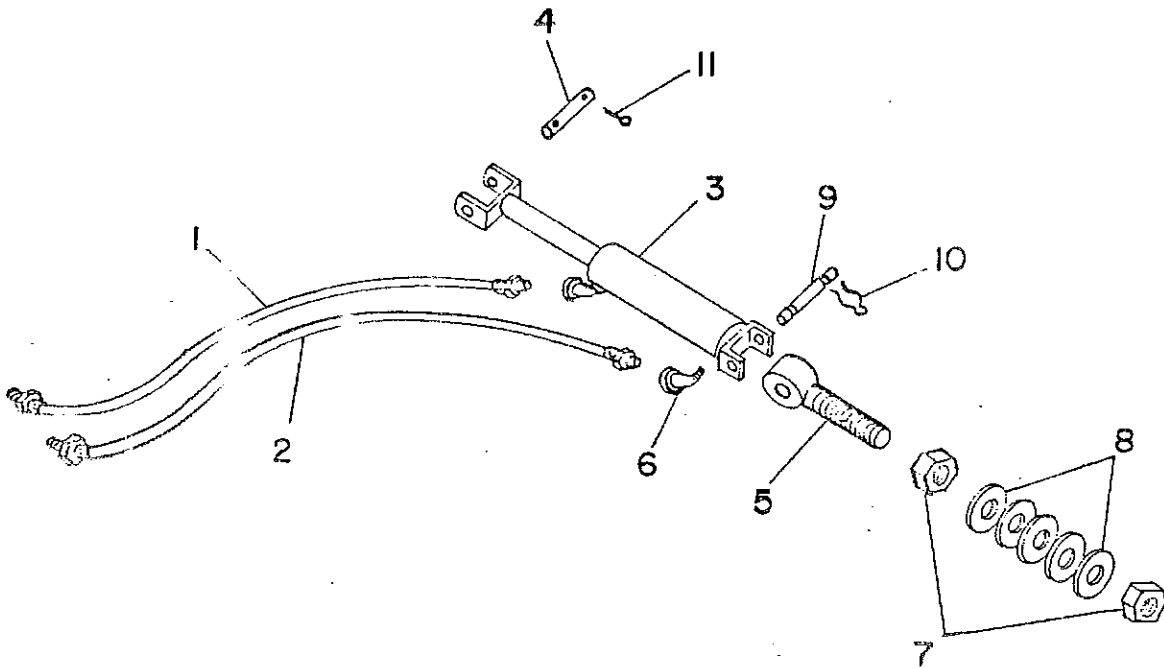
#700 SILAMIX SIDE BOARDS

KEY	PART NUMBER	DESCRIPTION
1.	12-4048	Side Reinforcing Angle Left
2.	04-4049	Corner Piece - 4 Required
3.	12-4050	Front And Back Reinforcing Angle
4.	16-4051	Side Board Left
5.	16-4052	Side Board Right
6.	16-4053	Side Board Front
7.	12-3290	Ladder, 3-Step
8.	33-4054	Fender, Left And Right
9.	24-3705	Drain Cap, 2 1/4" Pipe Cap
10.	12-4055	Side Reinforcing Angle Right
11.	03-2017	Bolt, 3/8" x 1" Carriage
12.	03-2119	Washer, 3/8" Flat
13.	03-2118	Washer, 3/8" Lock
14.	22-2726	Nut, 3/8" Hex
15.	03-1073	Bolt, 1/2" x 1 1/4" Hex
16.	40-0537	Washer, 1/2" Lock
17.	22-0536	Nut, 1/2" Hex
18.	40-0520	Washer, 1/2" Flat
19.	03-3047	Bolt, 1/2" x 1 1/4" Short Shoulder Carriage

#700 SILAMIX DISCHARGE AUGER ASSEMBLY

1.	39-2562	Support Strap For Unloading Door Rubber Set
2.	13-2563	Rubber Unloading Door Seal
3.	22-2019	Nut, 5/16" Whiz Lock
4.	03-1241	Bolt, 5/16" x 3/4" Carriage
5.	21-3735	Clutch Activator
6.	21-3736	Clutch Activator Rod
7.	19-3585	Cotter Pin, 5/32" x 1 1/4"
8.	03-0669	Bolt, 3/8" x 1 1/4" Hex
9.	22-2306	Nut, 3/8" Hex, Self Locking
10.	09-2568	Clutch Arm, Discharge Auger
11.	03-1226	Bolt, 3/8" x 1" Hex
12.	03-2118	Washer, 3/8" Lock
13.	40-2569	Washer, 3/8" I.D. x 1 3/4" O.D. x 10 Ga.
14.	38-2570	Spring, Discharge Auger Clutch
15.	01-1375	Bearing, 1/2" Bore, Sealed
16.	26-2572	Discharge Auger Sliding Clutch
17.	35-2571	Snap Ring, 1 1/4" Internal
18.	05-2573	Bushing, Oilite 1 1/4" I.D. x 1 1/2" O.D. x 2" Long
19.	26-2574	Discharge Auger Driving Clutch
20.	37-2575	Sprocket, 60A18 1 1/2" Bore, 4 Bolt Holes
21.	40-2362	Washer, 5/16" Lock
22.	03-2292	Washer, 5/16" Flat
23.	03-0590	Bolt, 5/16" x 1" Hex
24.	40-2577	Washer, 1 1/4" I.D. x 1 7/8" O.D. x 14 Ga.
25.	01-0867	Bearing, 1 1/4" Flange Block
26.	22-0536	Nut, 1/2" Hex
27.	40-0537	Washer, 1/2" Lock
28.	03-1477	Bolt, 1/2" x 1 1/2" Hex
29.	36-2578	Spacer, 1 1/4" Pipe x 3/4" Long
30.	19-2579	Key, 5/16" x 5/16" x 3 1/2"
31.	32-2580	Plug, Discharge Auger Drive
32.	03-0708	Bolt, 1/2" x 2 1/2" Hex
33.	32-2583	Auger, Main Discharge
34.	23-1818	Clevis Pin, 5/16" x 1 3/4"
35.	26-2582	U-Joint
36.	23-2581	Expanpin, 5/16" x 1 1/2"
37.	32-2584	Auger, Discharge Extension
38.	42-2585	Angle, For Discharge Auger
39.	23-2586	Clevis Pin, 1/2" x 1"
40.	40-0520	Washer, 1/2" Flat
41.	19-2587	Cotter Pin, 3/16" x 1"
42.	16-2588	Housing Discharge Auger Extension
43.	33-4045	Shield, Discharge Housing Extension
44.	03-3354	Bolt, 3/8" x 2 1/2" Carriage
45.	42-2126	Block, Oil Treated Wood
46.	03-2119	Washer, 3/8" Flat
47.	37-3975	Sprocket, 60A18, 1 1/4" Bore, 2 Bolt Holes
48.	10-2008	Shear Hub, 1 1/4" Bore
49.	08-4046	Chain, RC-60 59P, Including 1 Offset, And 1 Connector
50.	19-2070	Cotter Pin, 5/32" x 1"

#700 SILAMIX HYDRAULIC DOOR OPENER FIELD KIT



#700 SILAMIX HYDRAULIC DOOR OPENER FIELD KIT

KEY	PART NUMBER	DESCRIPTION
1.	17-2982	Hose, 1/2" x 10'
2.	17-1425	Hose, 1/2" x 12'
3.	17-3707	Hydraulic Cylinder, 14" Stroke
4.	23-3708	Pin, Hyraulic Arm Support (Upper)
5.	21-3709	End Support Adjusting Screw
6.	24-0649	Street Elbow, 1/2" x 45 Degrees
7.	22-3675	Nut, 3/4" Hex
8.	40-2072	Washer, 3/4" Flat
9.	23-3711	Pin, Hydraulic Arm Support (Lower)
10.	19-3712	Hair Pin
11.	19-3710	Cotter Pin, 5/32" x 1 3/4"

Note: Cylinder Comes Complete With 1 Street Elbow and Pins No. 4,9,10, and 11.



